

- > **Port size: 1/4" ... 3/4" (ISO G/ PTF)**
- > **Oil-fog option available**
- > **Micro-fog plug-in lubricators for best lubrication in general purpose pneumatic applications**



### Technical features

#### Medium:

Compressed air

#### Maximum operating pressure:

17 bar (246 psi)

#### Start point:

1,5 dm<sup>3</sup>/s

#### Bowl size:

0,2 litre (7 fl oz) standard

1 litre (34 fl oz) optional

#### Ambient/Media temperature:

-20° ... +80°C ( -4° ... +176°F)

Air supply must be dry enough to avoid ice formation at temperatures below +2°C (+35°F).


#### Materials:

Body & yoke: Zinc alloy


Sight dome: Transparent PA

Elastomers: NBR

### Technical data L64C - Oil-fog lubricators; standard models

Symbol	Port size	Size	Flow * (dm <sup>3</sup> /s)	Bowl	Weight (kg)	Model
	G1/4	—	25	Metal	1,42	L64C-2GP-EDN
	G3/8	—	62	Metal	1,4	L64C-3GP-EDN
	G1/2	Basic	72	Metal	1,37	L64C-4GP-EDN
	G3/4	—	72	Metal	1,73	L64C-6GP-EDN
	Without yoke	—	—	Metal	0,94	L64C-NNP-EDN

### Technical data L64M - Micro-fog lubricators; standard models

Symbol	Port size	Size	Flow * (dm <sup>3</sup> /s)	Bowl	Weight (kg)	Model
	G1/4	—	25	Metal	1,42	L64M-2GP-EDN
	G3/8	—	62	Metal	1,40	L64M-3GP-EDN
	G1/2	Basic	72	Metal	1,37	L64M-4GP-EDN
	G3/4	—	72	Metal	1,73	L64M-6GP-EDN
	Without yoke	—	—	Metal	0,94	L64M-NNP-EDN

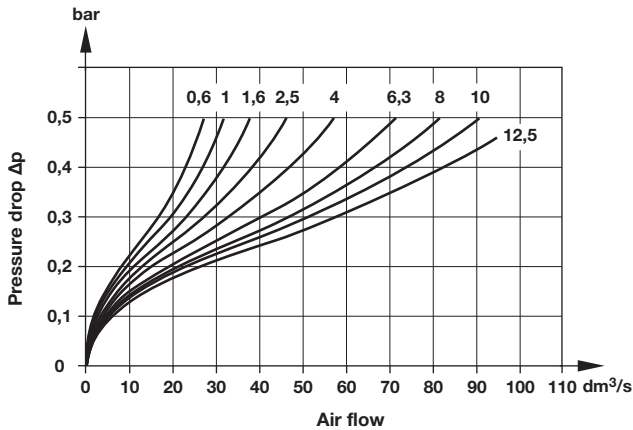
\* Typical flow with 6,3 bar (91 psi) inlet pressure and 0,5 bar (7 psi) pressure drop

### Option selector

Type	Substitute	<b>L64★-★★P-E★★</b>		Options	Substitute
Oil-fog	<b>C</b>	←	→	None	<b>N</b>
Micro-fog	<b>M</b>			Quick fill device	<b>Q</b>
Port size	Substitute	←	→	Bowl	Substitute
1/4"	<b>2</b>			Metal with liquid level indicator; 0,2 litre	<b>D</b>
3/8"	<b>3</b>			Long metal bowl with liquid level indicator; 1 litre	<b>A</b>
1/2"	<b>4</b>				
3/4"	<b>6</b>				
Without yoke	<b>N</b>				
Threads	Substitute	←	→		
PTF	<b>A</b>				
ISO G (standard)	<b>G</b>				
Without yoke (standard)	<b>N</b>				

## Flow characteristics

### Port size 1/2"



## Accessories

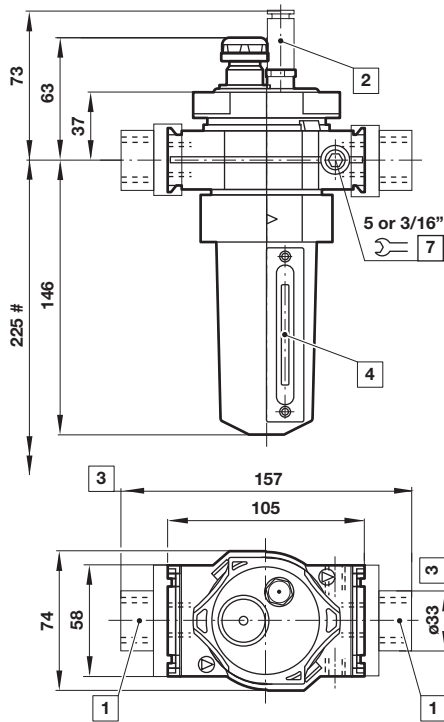
	Models with G-thread Single yoke	Double yoke	3/2 Shut-off valve Threaded inlet only	Threaded outlet only	End connector kit	Rear entry bracket kit
Thread	5				2	8
G1/4	Y64A-2GA-N1N	Y64A-2GA-N2N	T64T-2GB-P1N	T64T-2GC-P1N	—	—
G3/8	Y64A-3GA-N1N	Y64A-3GA-N2N	T64T-3GB-P1N	T64T-3GC-P1N	—	—
G1/2	Y64A-4GA-N1N	Y64A-4GA-N2N	T64T-4GB-P1N	T64T-4GC-P1N	74505-50	—
G3/4	Y64A-6GA-N1N*	Y64A-6GA-N2N*	T64T-6GB-P1N	T64T-6GC-P1N	74505-53	18-026-981
1/4 PTF	Y64A-2AA-N1N	Y64A-2AA-N2N	T64T-2AB-P1N	T64T-2AC-P1N	—	—
3/8 PTF	Y64A-3AA-N1N	Y64A-3AA-N2N	T64T-3AB-P1N	T64T-3AC-P1N	—	—
1/2 PTF	Y64A-4AA-N1N	Y64A-4AA-N2N	T64T-4AB-P1N	T64T-4AC-P1N	74505-52	—
3/4 PTF	Y64A-6AA-N1N*	Y64A-6AA-N2N*	T64T-6AB-P1N	T64T-6AC-P1N	74505-55	—

\*These yokes are supplied with two end connector kits as standard.

Bracket mounting	Nut	Quick fill device	Yoke connector kit	Porting block	Adjustable pressure switch	Padlock with two keys
1	4		9			
74504-50	74502-89	18-011-024	74503-51	74507-50	4346-99	0613633 (brass)

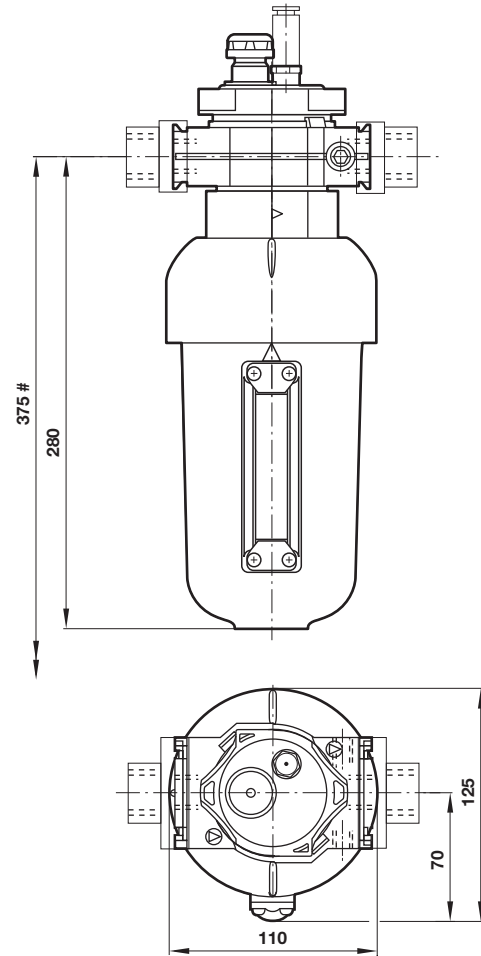
## Service kit



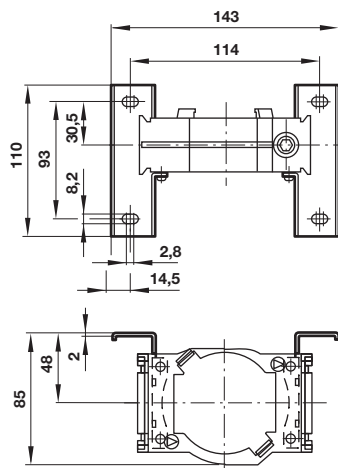
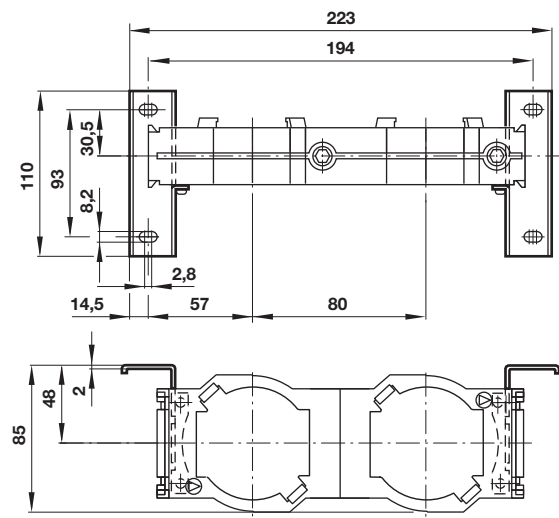
**Dimensions**
**0,2 litre bowl**


# Minimum clearance required to remove bowl

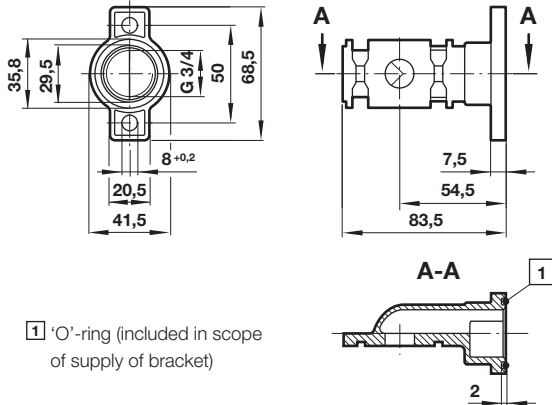
- 1 Main ports 1/4", 3/8", 1/2" or 3/4"
- 2 Quick fill device
- 3 For main ports 3/4" only
- 4 Sight glass
- 7 Gauge port 1/8"

**1 litre bowl**


Dimensions in mm  
Projection/First angle

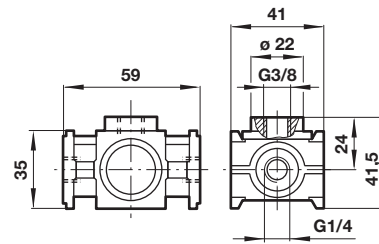

**Single yoke with bracket mounting**

**Double yoke with bracket mounting**


**Rear entry bracket**  
18-026-981



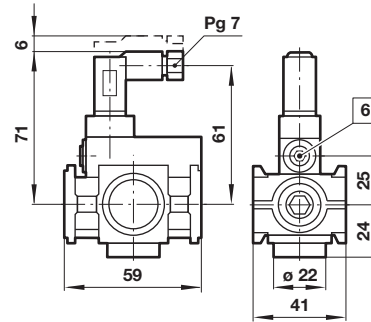
**Porting block**  
74507-50

Dimensions in mm  
Projection/First angle



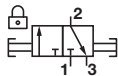
**Adjustable pressure switch**  
4346-99

<b>Voltage</b>	24 V d.c./240 V a.c.
<b>Current</b>	0,5 A (d.c.); 5 A (a.c.)
<b>Pressure range</b>	2 ... 10 bar
<b>Repeatability</b>	2% of full set point range at 20°C
<b>Average deadband</b>	0,8 ... 1,7 bar
<b>Electrical connection (corresponding to chosen coil)</b>	EN 175301-803 - Form C, 15 mm
<b>Degree of protection:</b>	IP65
<b>Adjustable</b>	Standard
<b>Material</b>	Body: Aluminium, Elastomers: NBR

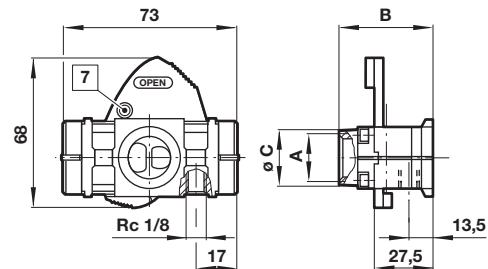


6 Adjusting screw

**3/2 Shut-off valve**

Symbol	A	B	ø C	Model
	G1/4	48	27	T64T-2G*-P1N
	G3/8	48	27	T64T-3G*-P1N
	G1/2	48	27	T64T-4G*-P1N
	G3/4	51	33	T64T-6G*-P1N

\* B = Threaded inlet only, C = Threaded outlet only



7 Padlock hole ø7,5 mm

**Warning**

These products are intended for use in industrial compressed air systems only. Do not use these products where pressures and temperatures can exceed those listed under

»**Technical features/data**«.

Before using these products with fluids other than those specified, for non-industrial applications, life-support systems or other applications not within published specifications, consult IMI Precision Engineering, IMI International s.r.o. Through misuse, age, or malfunction, components used in fluid power systems can fail in various modes.

The system designer is warned to consider the failure modes of all component parts used in fluid power systems and to provide adequate safeguards to prevent personal injury or damage to equipment in the event of such failure.

System designers must provide a warning to end users in the system instructional manual if protection against a failure mode cannot be adequately provided.

System designers and end users are cautioned to review specific warnings found in instruction sheets packed and shipped with these products.