

- > Port size: 3/8" ... 3/4" (ISO G/PTF)
- > Excelon design allows in-line or modular installation
- > Flow sensor provides a nearly constant oil/air ratio over a wide range of flows
- > All round (360°) visibility of sightfeed dome for ease of drip rate setting



Technical features

Medium:

Compressed air only

Maximum operating pressure:

Transparent bowls:

10 bar (145 psi)

Metal bowls:

17 bar (250 psi)

Bowl:

0,2 litre

Drain:

Manual standard

Without optional

Port size:

G3/8, G1/2, G3/4,

3/8 PTF 1/2 PTF , 3/4 PTF

Flow:

Micro-fog : 73 dm³/s

Oil-fog: 91 dm³/s

At port size 1/2",

Operating pressure: 6,3 bar (91 psi)

Δp: 0,5 bar (7 psi)

Start point:

0,94 dm³/s

Ambient/Media temperature:

Transparent bowl:

-34° ... +50°C (-30° ... +122°F)

Metal bowl:

-34° ... +80°C (-30° ... +176°F)

Air supply must be dry enough

to avoid ice formation at

temperatures below +2°C (+35°F).

Materials:

Bowl: PC with steel guard

Metal bowl: Die cast aluminium

Body: Die cast aluminium

Sight-feed dome: Transparent PA

Elastomers: CR & NBR

Technical data L74C - Oil-fog lubricators; standard models

Symbol	Port size	Size	Pressure maximum (bar)	Bowl with guard	Weight (kg)	Model
	G3/8		10	PC (transparent)	0,77	L74C-3GP-QPN
	G1/2	Basic	10	PC (transparent)	0,73	L74C-4GP-QPN
	G3/4		10	PC (transparent)	0,71	L74C-6GP-QPN

Technical data L74M - Micro-fog lubricators; standard models

Symbol	Port size	Size	Pressure maximum (bar)	Bowl with guard	Weight (kg)	Model
	G3/8		10	PC (transparent)	0,77	L74M-3GP-QPN
	G1/2	Basic	10	PC (transparent)	0,73	L74M-4GP-QPN
	G3/4		10	PC (transparent)	0,71	L74M-6GP-QPN

Option selector

L74★-★★P-★★★

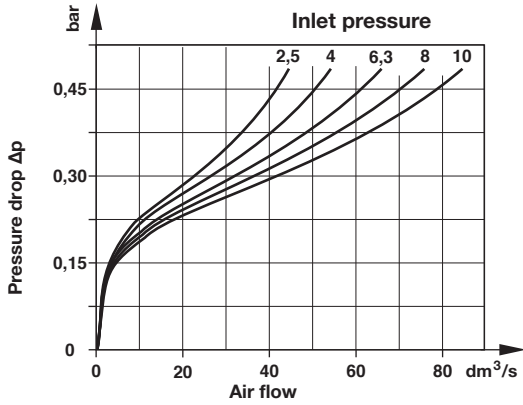
	Substitute
Oil fog lubricator	C
Micro fog lubricator	M
Port size	Substitute
3/8"	3
1/2"	4
3/4"	6
Thread form	Substitute
PTF	A
ISO G parallel (standard)	G

Option	Substitute
None (standard)	N
Quick fill nipple	Q
Bowl	Substitute
Metal with liquid level indicator	D
Transparent with guard (standard)	P
Drain	Substitute
None	E
Manual (standard)	Q

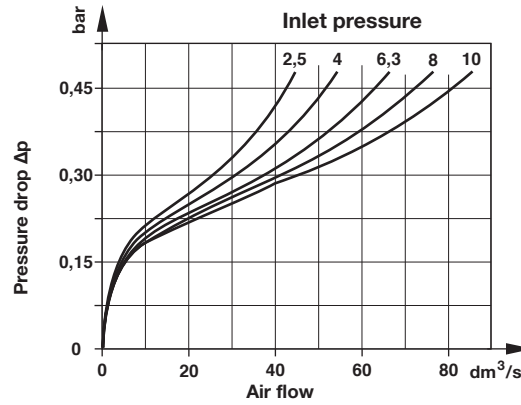
Flow characteristics

Port size: 1/2"

L74M



L74C



Accessories

Wall mounting bracket	Quikclamp®	Quikclamp with wall bracket®	Quikmount pipe adaptor *1)	Porting block with three alternative 1/4" ports	2/2 Shut-off valves (for full technical specification see datasheet 8.200.600)	3/2 Shut-off valves (for full technical specification see datasheet 8.200.600)
Page 3	Page 3	Page 3	Page 3	Page 3	Page 3	Page 3
4324-50	4314-51	4314-52	G3/8: 4315-10 G1/2: 4315-11 G3/4: 4315-12 3/8 PTF: 4315-02 1/2 PTF: 4315-03 3/4 PTF: 4315-04	G1/4: 4316-52 1/4 PTF: 4316-50	G 3/8: T74B-3GA-P1N G 1/2: T74B-4GA-P1N G 3/4: T74B-6GA-P1N	G 3/8: T74T-3GA-P1N G 1/2: T74T-4GA-P1N G 3/4: T74T-6GA-P1N 1/2 PTF: T74T-4AA-P1N 3/4 PTF: T74T-6AA-P1N

*1) Please use a Quikmount pipe adaptor if the Quikclamp be mounted at inlet or outlet side.

Pressure switch

Porting block for pressure switch	Pressure switch (0,5 ... 8 bar)	Padlock (brass) with two keys *1)
Page 4		
0523110000000000	0881300000000000	0613633000000000

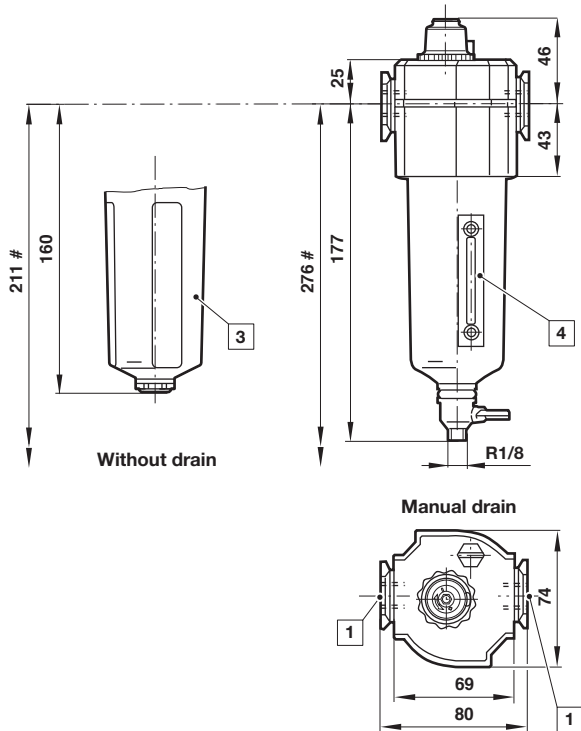
*1) for shut-off valves

Service kits

Service kit
L74M-KIT
L74C-KIT

Drawings

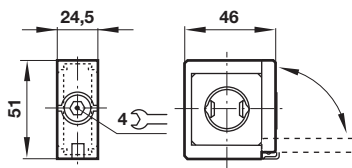
Dimensions in mm
Projection/First angle



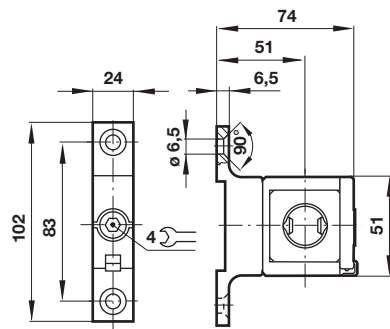
Minimum clearance required to remove bowl

- 1 Main ports 3/8", 1/2" or 3/4"
- 3 Transparent bowl with guard
- 4 Metal bowl with liquid level indicator lens

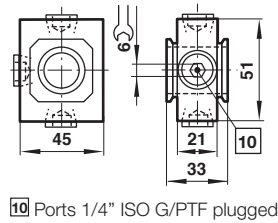
Accessories
Quikclamp®



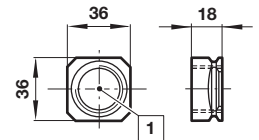
Quikclamp® with wall bracket



Porting block



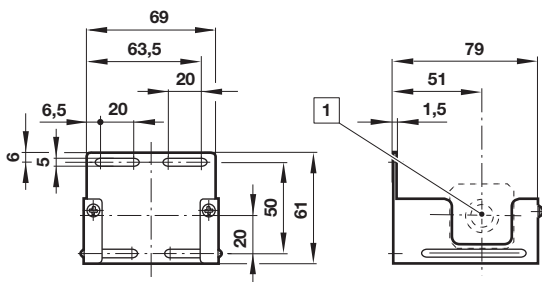
Pipe adapter



- 1 Main ports 3/8", 1/2" or 3/4" ISO G/PTF

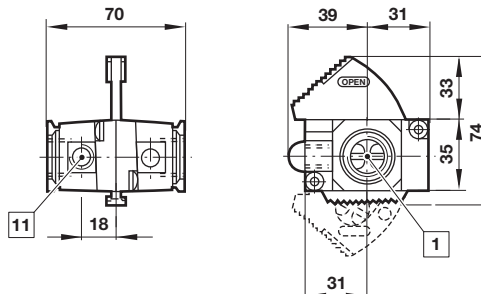
- 10 Ports 1/4" ISO G/PTF plugged

Wall mounting bracket



- 1 Main ports

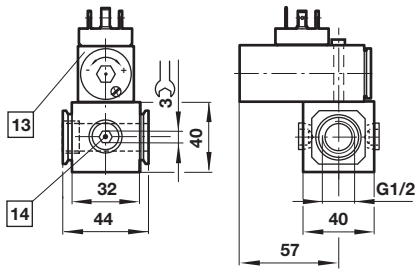
Shut-off valves



- 1 Main ports 3/8", 1/2" or 3/4" ISO G/PTF
- 11 Exhaust port Rc1/8

Porting block for pressure switch

Dimensions in mm
Projection/First angle



- 13 Pressure switch is not in scope of delivery
- 14 Alternative G1/4 ports plugged

Warning

These products are intended for use in industrial compressed air systems only. Do not use these products where pressures and temperatures can exceed those listed under

»Technical features/data«.

Before using these products with fluids other than those specified, for non-industrial applications, life-support systems or other applications not within published specifications, consult IMI Precision Engineering, Norgren Inc. Through misuse, age, or malfunction, components used in fluid power systems can fail in various modes.

The system designer is warned to consider the failure modes of all component parts used in fluid power systems and to provide adequate safeguards to prevent personal injury or damage to equipment in the event of such failure.

System designers must provide a warning to end users in the system instructional manual if protection against a failure mode cannot be adequately provided.

System designers and end users are cautioned to review specific warnings found in instruction sheets packed and shipped with these products.