

- > Port size: 3/4" ... 1 1/2" (ISO G, PTF)
- > Accurate and quick response to changes in flow demand and line pressure variations
- > Standard relieving models allow reduction of outlet pressure even when the system is dead-ended
- > Balanced valve minimizes effect of changes in inlet pressure on outlet pressure
- > Full flow gauge ports
- > Low torque, non rising adjusting knob



Technical features

Medium:

Compressed air

Maximum operating pressure:

20 bar (290 psi)

Pressure range:

Standard:

0,3 ... 8,5 bar (4 ... 123 psi)

Optional:

0,3 ... 3,5 bar (4 ... 50 psi)

0,7 ... 17 bar (10 ... 246 psi)

Typical flow:

See below

Port size:

3/4", 1", 1 1/4" or 1 1/2"

Gauge ports:

1/4" PTF with PTF main ports

R1/4 with ISO G main ports

Relieving:

Standard

Ambient/Media temperature:

-34° ... +80°C (-30° ... +176°F)

Version with gauge:

-34° ... +65°C (-30° ... +149°F)

Air supply must be dry enough to avoid ice formation at temperatures below +2°C (+35°F).

Materials:

Body and bonnet: Aluminum

Bottom plug: Acetal

Valve: Aluminum and PA

Elastomers: NBR

Technical data, standard models

Symbol	Port size	Flow* (dm³/s)	Pressure range (bar)	Gauge port	Weight (kg)	Model
	G3/4	208	0,3 ... 8,5	Rc1/4	1,05	R17-600-RNLG
	G1	227	0,3 ... 8,5	Rc1/4	0,92	R17-800-RNLG
	G1 1/4	189	0,3 ... 8,5	Rc1/4	1,22	R17-A00-RNLG
	1 1/2" BSPP	208	0,3 ... 8,5	Rc1/4	1,18	R17-B00-RNLC

*Typical flow with 10 bar (150 psi) inlet pressure, 6,3 bar (90 psi) set pressure and a 1 bar (15 psi) droop from set.

Option selector

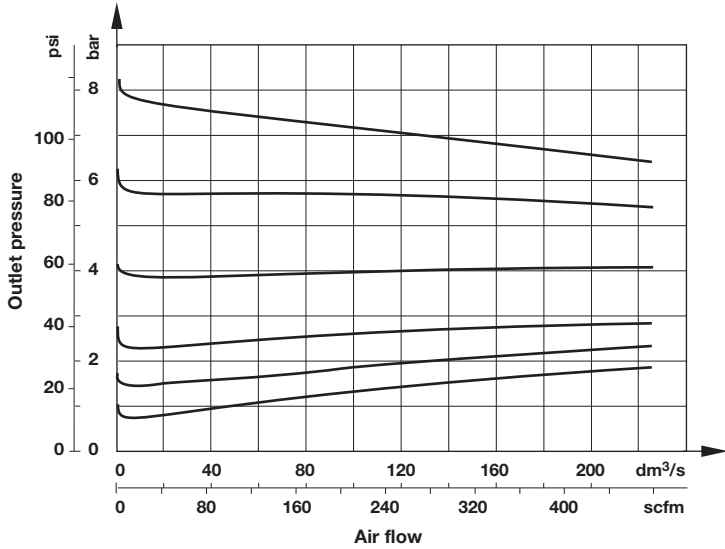
R17-★0★-★★★

Port size	Substitute	Thread	Substitute
3/4"	6	PTF	A
1"	8	ISO Rp (1 1/2" ported units only)	C
1 1/4"	A	ISO G parallel (not available with 1 1/2" ported units)	G
1 1/2"	B		
Adjustment	Substitute	Pressure range *	Substitute
Knob (standard)	0	0,3 ... 3,5 bar	E
T-handle	1	0,3 ... 8,5 bar (standard)	L
		0,7 ... 17 bar	S
Diaphragm	Substitute		
Relieving (standard)	R		
Non-relieving	N		
Gauge	Substitute		
With	G		
None	N		

* Pressure range can be adjusted to pressures in excess of, and less than, those specified. Do not use these units to control pressures outside of the specified ranges.

Flow characteristics

Port size 1", spring range 0,3 ... 8,5 bar, inlet pressure 10 bar




Accessories

<p>Nut</p>  <p>5226-97 (Metal)</p>	<p>Tamper resistant cap & seal wire</p>  <p>4355-21</p>	<p>Concentric reducing adaptors for gauge ports</p>  <p>R1/4-G1/8 150232818</p>	<p>Service kit</p>  <p>5578-02 Relieving 5578-01 Non-relieving</p>
--	--	---	--


Gauge

Center back connection, white face (for full technical specification see datasheet 8.900.900)



Pressure range bar *1	Mpa	psi	Ø	Thread size	Model
0 ... 4	0 ... 0,4	0 ... 58	50 mm	R1/8 *2)	18-015-011
0 ... 10	0 ... 1	0 ... 145	50 mm	R1/8 *2)	18-015-013
0 ... 25	0 ... 2,5	0 ... 362	50 mm	R1/8 *2)	18-015-014

Center back connection, black face for North America (for full technical specification see datasheet 8.900.900)



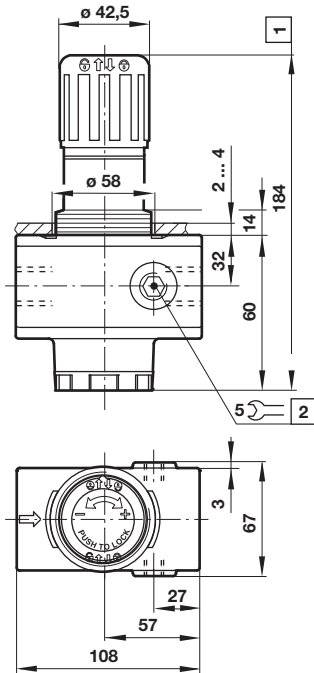
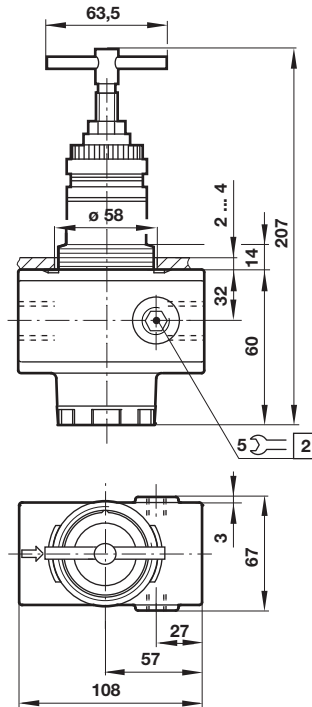
Pressure range

psig *1	bar	Mpa	Ø	Thread size	Model
0 ... 60	0 ... 4	0 ... 0,4	2" (50 mm)	1/4 NPT	18-015-208
0 ... 160	0 ... 11	0 ... 1,1	2" (50 mm)	1/4 NPT	18-015-209
0 ... 300	0 ... 20	0 ... 2,1	2" (50 mm)	1/4 NPT	18-015-210

*1) primary scale

*2) Concentric reducing adaptors for gauge ports Model 150232818 (R1/4-G1/8)

*1) primary scale

Dimensions
Standard version

With T-handle

 Dimensions in mm
 Projection/First angle


- 1 Reduces by 4 mm with knob in locked position
- 2 Gauge port 1/4" plugged

Warning

These products are intended for use in industrial compressed air systems only. Do not use these products where pressures and temperatures can exceed those listed under

»Technical features/data«.

Before using these products with fluids other than those specified, for non-industrial applications, life-support systems or other applications not within published specifications, consult IMI Precision Engineering, Norgren GmbH.

Through misuse, age, or malfunction, components used in fluid power systems can fail in various modes.

The system designer is warned to consider the failure modes of all component parts used in fluid power systems and to provide adequate safeguards to prevent personal injury or damage to equipment in the event of such failure.

System designers must provide a warning to end users in the system instructional manual if protection against a failure mode cannot be adequately provided.

System designers and end users are cautioned to review specific warnings found in instruction sheets packed and shipped with these products.