

- > Port size: 1 1/2" & 2" (ISO G, PTF)
- > Can be installed at any point in the compressed air system without regard to accessibility – pilot regulator can be installed in the most convenient location
- > Accurate pressure regulation over a wide range of flows
- > Can be used with conventional pilot regulator


Technical features
Medium:

Compressed air only

Operation pressure:

31 bar (450 psi) maximum

Pressure range:

Standard:

0,16 ... 17 bar (2,3 ... 246 psi)

With pilot regulator:

0,3 ... 8,5 bar (4,3 ... 123 psi)

Typical flow:

See below

Main port size:

1 1/2" & 2"

Relieving port:

3/4 PTF with PTF main ports

G1/4 with ISO G main ports

Gauge port:

1/4 PTF with PTF main ports

Rc1/4 with ISO G main ports

Relieving:

Standard

Ambient/Media temperature:

-34 ... 80°C (-30 ... +175°F)

Version with gauge:

-34 ... +65°C (-30 ... +149°F)

Air supply must be dry enough to avoid ice formation at temperatures below +2°C (+35°F).

Materials:

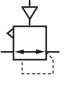
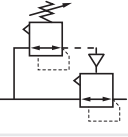
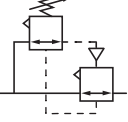
Body & bonnet: Aluminum alloy

Bottom plug: Acetal

Valve: Aluminum and PA

Elastomers: NBR

Technical data, standard models

Symbol	Port size	Flow *1) (dm ³ /s)	Regulator	Outlet pressure range (bar)	(psi)	Weight (kg)	Model
	G1 1/2	944	—	0,16 ... 17	2,32 ... 247	3,09	R18-B00-RNXG
	G2	944	—	0,16 ... 17	2,32 ... 247	2,99	R18-C00-RNXG
	G1 1/2	944	R40 included	0,3 ... 8,5	4,35 ... 123	3,85	R18-B05-RNLG
	G2	944	R40 included	0,3 ... 8,5	4,35 ... 123	3,75	R18-C05-RNLG
	G1 1/2	944	R41 included	6,9 ... 17	4,35 ... 123	3,85	R18-B06-RNSG
	G2	944	R41 included	6,9 ... 17	4,35 ... 123	3,75	R18-C06-RNSG

*1) Typical flow with 7,0 bar (101 psi) inlet pressure, 6,3 bar (91 psi) set pressure and a 1 bar (14,5 psi) drop from set.

Option selector

R18-★0★-★N★★

Port size	Substitute
1 1/2"	B
2"	C
Pilot regulator	Substitute
Without (standard)	0
With R40 conventional	5
With R41 feedback *1)	6

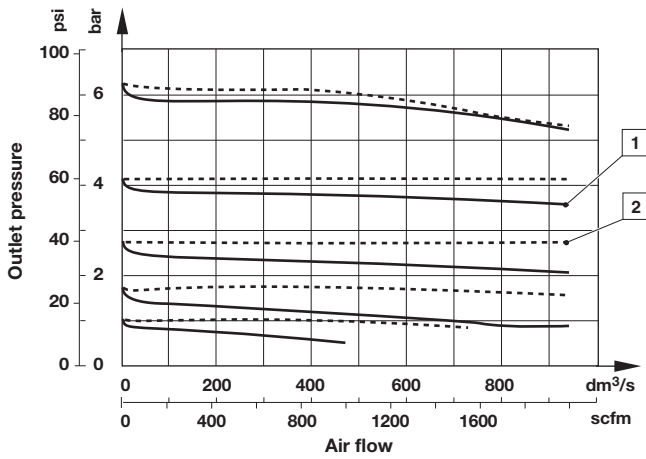
*1) Requires relieving diaphragm and 17 bar (250 psig) spring (R in 7th position and S in 9th position) e.g. R18-B06-RNSG. The 06 option cannot be used at an outlet pressure below 6,9 bar (100 psig). For feedback control at pressures below 6,9 bar (100 psig) use an 11-104-001 with a pilot operated R18.

Thread form	Substitute
PTF	A
ISO G	G
Outlet pressure range *2)	Substitute
Without (standard)	X
0,1 ... 3,5 bar (with R40)	E
0,3 ... 8,5 bar (with R40)	L
0,7 ... 17 bar (with R40)	S
6,9 ... 17 bar (with R41) *1)	S
Diaphragm	Substitute
Relieving	R
Non relieving	N

*2) Outlet pressures can be adjusted to pressures in excess of, and less than, those specified. Do not use these units to control pressures outside of the specified ranges.

Flow characteristics

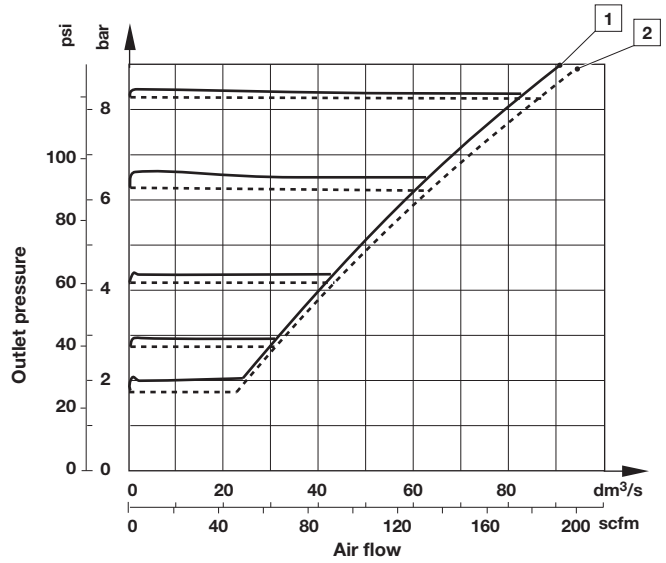
Port size: 2",
Inlet pressure: 6,9 bar, pilot spring range 0,3 ... 8,5 bar



1 R18 with R40 conventional pilot
2 R18 with R41 feedback pilot

Relief characteristics

Port size: 2",
Inlet pressure: 10 bar



Accessories

Silencer



Page 4

R3/4: MB006B

3/4 NPT: MB006A

Concentric reducing adaptors for gauge ports



R1/4-G1/8 150232818

Service kits

Service kit



R18-100R (R18)

R18-100R & 5945-41 (R18 & R40)

Gauge

Center back connection,
white face

(for full technical specification
see datasheet 8.900.900)



Pressure range

bar *1)	Mpa	psi	Ø	Thread size	Model
0 ... 1,6	0 ... 0,16	0 ... 23	50 mm	R1/8	18-015-010
0 ... 4	0 ... 0,4	0 ... 58	50 mm	R1/8	18-015-011
0 ... 6	0 ... 0,6	0 ... 87	50 mm	R1/8	18-015-012
0 ... 10	0 ... 1	0 ... 145	50 mm	R1/8	18-015-013
0 ... 25	0 ... 2,5	0 ... 362	50 mm	R1/8	18-015-014

*1) primary scale

Gauge for North America

Center back connection,
black face for North America

(for full technical specification
see datasheet 8.900.900)



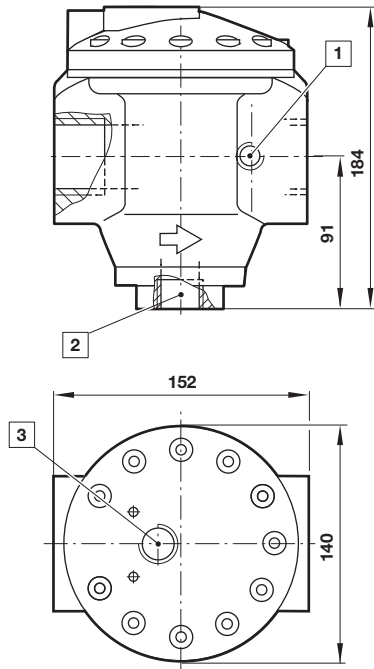
Pressure range

psig *1)	bar	Mpa	Ø	Thread size	Model
0 ... 30	0 ... 2	0 ... 0,2	2" (50 mm)	1/4 NPT	18-015-207
0 ... 60	0 ... 4	0 ... 0,4	2" (50 mm)	1/4 NPT	18-015-208
0 ... 160	0 ... 11	0 ... 1,1	2" (50 mm)	1/4 NPT	18-015-209
0 ... 300	0 ... 20	0 ... 2,1	2" (50 mm)	1/4 NPT	18-015-210

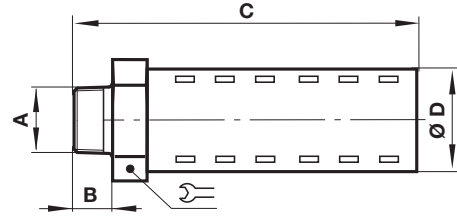
*1) primary scale

Dimensions

Dimensions in mm
Projection/First angle

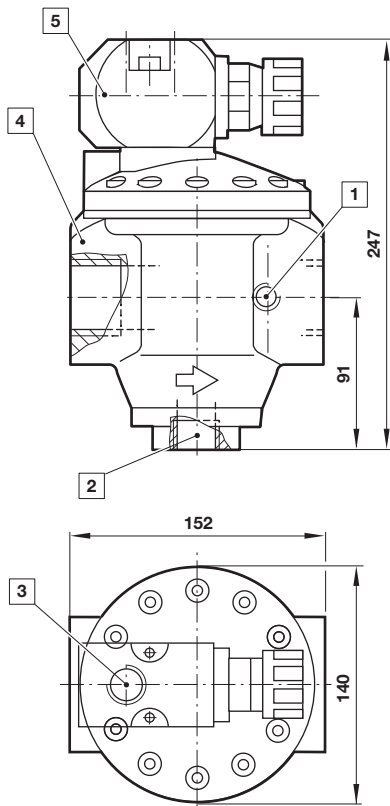


Silencer

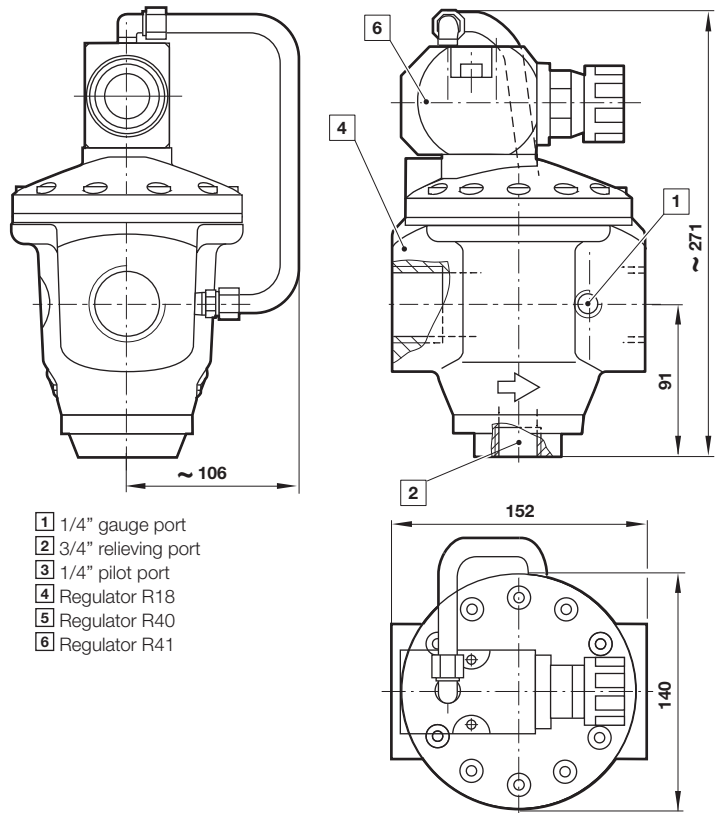


A	B	C	D		Model
R3/4	20	134	51	51	MB006B
3/4 NPT	20	134	51	51	MB006A

With pilot regulator R40



With feedback pilot regulator R41



- 1 1/4" gauge port
- 2 3/4" relieving port
- 3 1/4" pilot port
- 4 Regulator R18
- 5 Regulator R40
- 6 Regulator R41

Warning

These products are intended for use in industrial compressed air systems only. Do not use these products where pressures and temperatures can exceed those listed under »**Technical features/data**«.

Before using these products with fluids other than those specified, for non-industrial applications, life-support systems or other applications not within published specifications, consult IMI Precision Engineering, Norgren Inc.

Through misuse, age, or malfunction, components used in fluid power systems can fail in various modes. The system designer is warned to consider the failure modes of all component parts used in fluid power systems and to provide adequate safeguards to prevent personal injury or damage to equipment in the event of such failure.

System designers must provide a warning to end users in the system instructional manual if protection against a failure mode cannot be adequately provided.

System designers and end users are cautioned to review specific warnings found in instruction sheets packed and shipped with these products.