


# T84T - 3/2 shut-off valve

## Excelon® Plus Modular System



- > Port size: 3/8" ... 3/4" (ISO G/PTF)
- > Excelon® Plus design allows in-line installation or modular installation with other Excelon® Plus products
- > 3/2 way function
- > Threaded exhaust port
- > Lockable in closed position with padlock
- > High Corrosion resistance: Metal body with electrophoretic paint finish
- >  DoC in accordance with 2014/34/EU/ATEX



### Technical features

#### Medium:

Compressed air only

#### Maximum supply pressure:

20 bar (290 psi)

#### Port size:

G3/8, G1/2, G3/4, 3/8 PTF, 1/2 PTF, 3/4 PTF

#### Flow:

From IN to OUT ports:


1/2": 162 dm<sup>3</sup>/s at 6,3 bar and

Δp 0,5 bar pressure drop,

1,8 dm<sup>3</sup>/s from OUT to exhaust port.

#### Atex:

Shut-off valves T84 are in conformity with ATEX 2014/34/EU

 II 2 GD

Ex h IIC T6 Gb

EX h IIIC T85°C Db

#### Ambient/Media temperature:

-20 ... +65°C (-4 ... +149°F)

Air supply must be dry enough

to avoid ice formation at

temperatures below +2°C (+35°F).

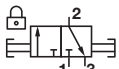
#### Materials:

Body: Die cast aluminium

Body covers: ABS

Elastomers: NBR

### Technical data T84T - standard models

Symbol	Port size	Function	Valve type	Exhaust port forms	Weight (kg)	Model
	G3/8	3/2	Ball valve	Exhaust port threaded G1/4	0,48	T84T-3GA-B1N
	G1/2	3/2	Ball valve	Exhaust port threaded G1/4	0,48	T84T-4GA-B1N
	G3/4	3/2	Ball valve	Exhaust port threaded G1/4	0,48	T84T-6GA-B1N

### Option selector

Function	Substitute	Thread form	Substitute
3/2	T	PTF	A
		ISO G parallel (standard)	G
		Port size	Substitute
		3/8"	3
		1/2"	4
		3/4"	6

**T84T-★★A-B1N**

### Excelon Plus adheres to the following harmonised standard and technical specifications:

2014/34/EU Equipment and protective systems intended for use in potentially explosive atmospheres.

The following harmonised standards and technical specifications have been applied ISO 4414:2010 – Pneumatic fluid power – General rules and safety requirements for systems and their components; ISO 80079-36:2016 – Explosive atmospheres – Part 36: Non-electrical equipment for explosive atmospheres – Basic method and requirements; ISO 80079-37:2016 – Explosive atmospheres

Part 37: Non-electrical equipment for explosive atmospheres – Non-electrical type of protection constructional safety "c", control of ignition sources "b", liquid immersion "k".



II 2 GD

Ex h IIC T6 Gb



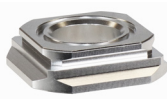
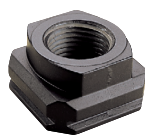
Ex h IIIC T85°C Db

ATEX Certification No.: NORGREN 18.0001X

For a copy of the Declaration of Conformity (DoC) please use the link [http://cdn.norgren.com/pdf/IM\\_Excelon\\_Plus\\_EN\\_final.pdf](http://cdn.norgren.com/pdf/IM_Excelon_Plus_EN_final.pdf)

## Accessories

<p><b>Wall mounting bracket</b></p>  <p><b>Page 5</b> 840024-50KIT</p>	<p><b>Quikclamp®</b></p>  <p><b>Page 5</b> 840014-51KIT</p>	<p><b>Quikclamp® with bracket assembled</b></p>  <p><b>Page 5</b> 840014-52KIT</p>
---	--	---

<p><b>Hybrid Quikclamp® *1</b></p>  <p><b>Page 5</b> 840014-61</p>	<p><b>Hybrid Quikclamp® with bracket assembled *1</b></p>  <p><b>Page 5</b> 840014-62</p>	<p><b>Connector 84-82 Series *2</b></p>  <p><b>Page 5</b> 4417-01</p>	<p><b>Port Adaptors</b></p>  <p><b>Page 5</b></p> <table border="1"> <tr><td>1/4 PTF</td><td>840015-01KIT</td></tr> <tr><td>3/8 PTF</td><td>840015-02KIT</td></tr> <tr><td>1/2 PTF</td><td>840015-03KIT</td></tr> <tr><td>3/4 PTF</td><td>840015-04KIT</td></tr> <tr><td>G1/4</td><td>840015-09KIT</td></tr> <tr><td>G3/8</td><td>840015-10KIT</td></tr> <tr><td>G1/2</td><td>840015-11KIT</td></tr> <tr><td>G3/4</td><td>840015-12KIT</td></tr> </table>	1/4 PTF	840015-01KIT	3/8 PTF	840015-02KIT	1/2 PTF	840015-03KIT	3/4 PTF	840015-04KIT	G1/4	840015-09KIT	G3/8	840015-10KIT	G1/2	840015-11KIT	G3/4	840015-12KIT
1/4 PTF	840015-01KIT																		
3/8 PTF	840015-02KIT																		
1/2 PTF	840015-03KIT																		
3/4 PTF	840015-04KIT																		
G1/4	840015-09KIT																		
G3/8	840015-10KIT																		
G1/2	840015-11KIT																		
G3/4	840015-12KIT																		

\*1) To connect new Excelon Plus to old Excelon 74/73 units.  
Having the same hole centres as 74 series mounting bracket.  
A Quikclamp adds 13.6 mm to the overall width of a combination unit

<p><b>Pressure sensing block 1/4 PTF</b></p>  <p><b>Page 5</b> 840016-50KIT</p>	<p><b>Pressure sensing block G1/4</b></p>  <p><b>Page 5</b> 840016-51KIT</p>
--	---

<p><b>Full flow porting block 3/4" PTF</b></p>  <p><b>Page 6</b> 840028-50KIT</p>	<p><b>Full flow porting block G3/4</b></p>  <p><b>Page 6</b> 840028-53KIT</p>	<p><b>Full flow porting block 3/4" PTF</b></p>  <p><b>Page 6</b> 840028-68KIT</p>	<p><b>Full flow porting block G3/4</b></p>  <p><b>Page 6</b> 840028-69KIT</p>	<p><b>Pressure switch interface block (18D pressure switch) G1/4</b></p>  <p><b>Page 6</b> 0337717000000000</p>
--	--	--	---	--

<p><b>Pressure switch 18D (0,5 ... 8bar) *1</b></p>  <p><b>Page 6</b> 0881300</p>	<p><b>Digital pressure switch 51D (-1... 10 bar) *2</b></p>  <p><b>Page 7</b> 0860810</p>	<p><b>Electronic Pressure Sensor – stand alone version *3</b></p>  <p><b>Q84G</b></p>
--	--	--


\*1) Flanged version. For other pressure ranges, please see data sheet 5.11.001

\*2) For other pressure ranges, please see data sheet 5.11.385

\*3) Q84G stand alone electronic pressure sensor module  
see <http://s.norgren.com/digital-gauge-iodd> for data-sheet 8.900.905.

## IO-Link cables

**Connection cable M8x1 for integrated digital pressure switch**



Description	Cable length (m)	Model
M8 female to M12 male	0,6	NC-084FS-124MS-A
	1,0	NC-084FS-124MS-1
	2,0	NC-084FS-124MS-2
	5,0	NC-084FS-124MS-5
M8 female to free end	5,0	NC-084FS-00000-5

**Padlock**
**Padlock**


840055-01KIT

**Lockout device**


840055-02KIT

**Silencer**
**Porous plastic silencer \*3)**  
**G1/4**


M/S2

**Plastic silencer \*3)**  
**G1/4**


0014600000000000

**Sinter bronze silencer \*3)**  
**G1/4**


T40C2800

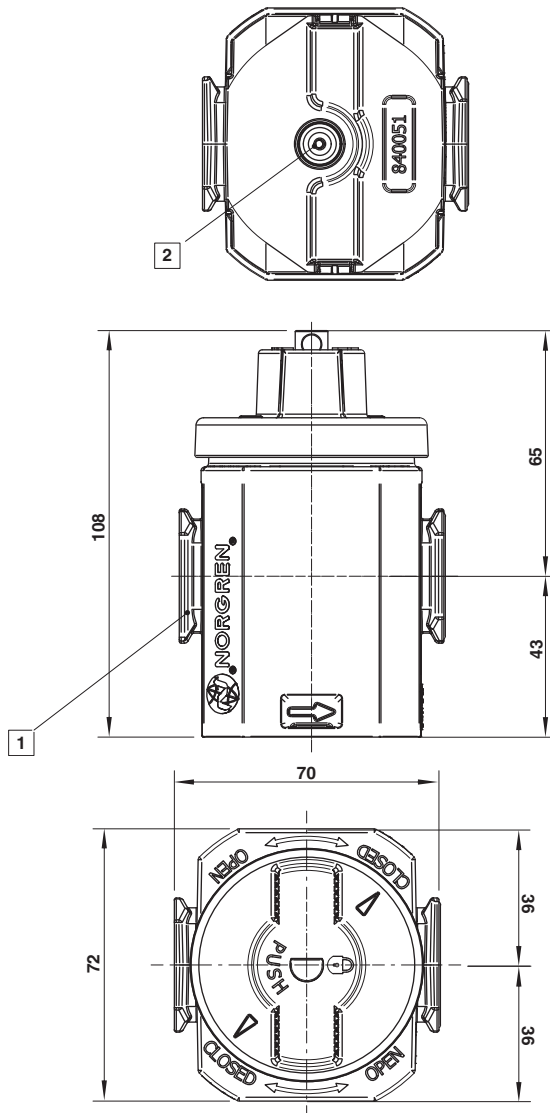
**Sinter bronze silencer \*3)**  
**1/4 PTF**


MS002A

\*3) Max. pressure of silencers listed in this data sheet : 10bar. For pressure higher than 10bar please contact Norgren

## Dimensions

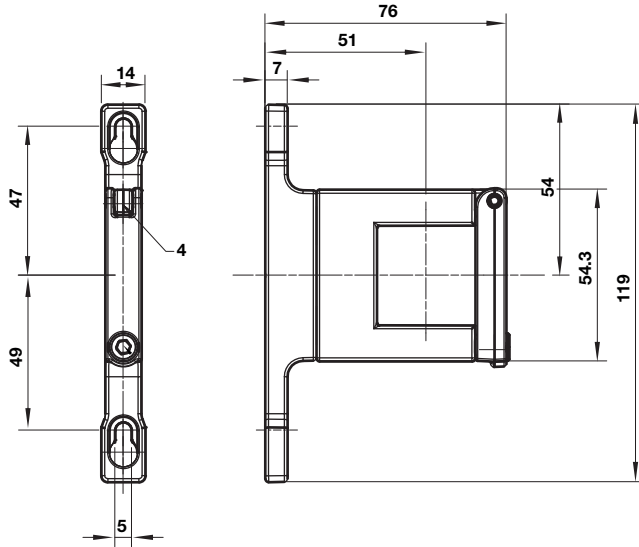
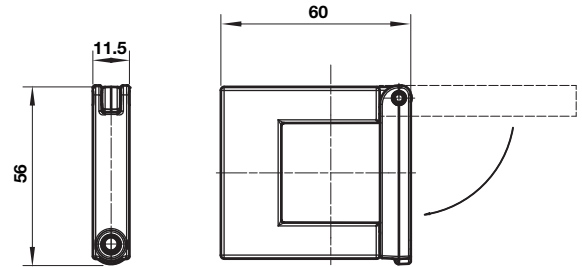
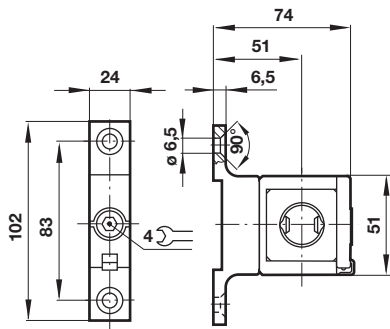
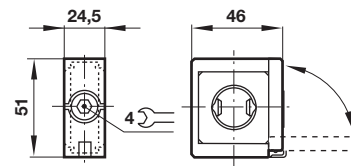
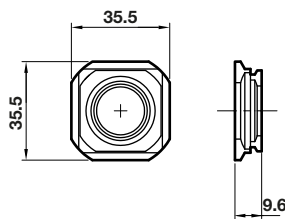
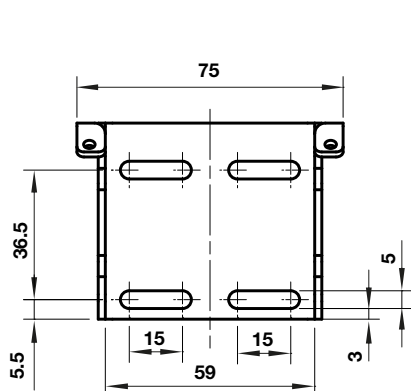
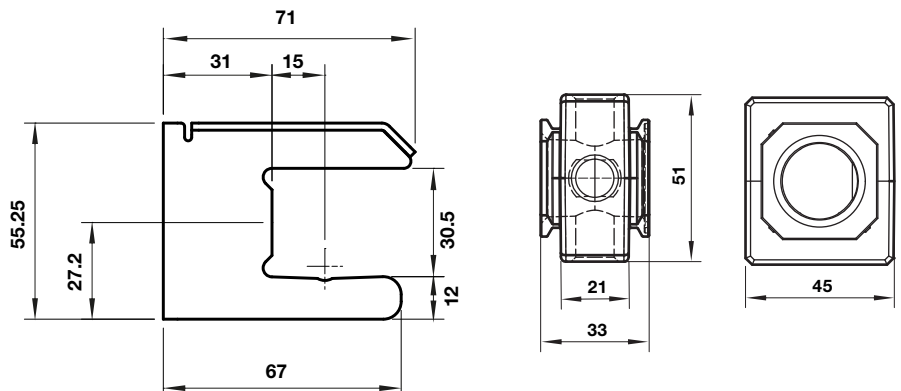
Dimensions in mm  
Projection/First angle

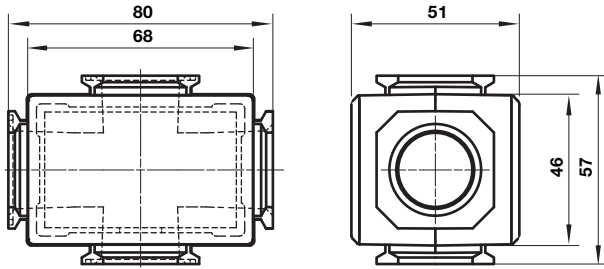
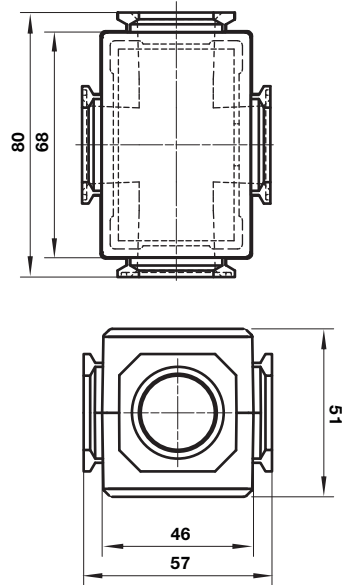


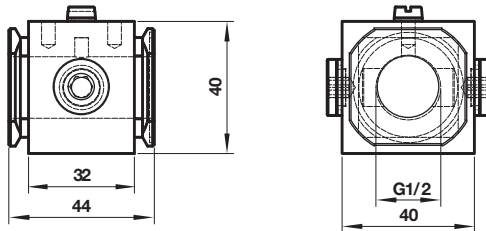
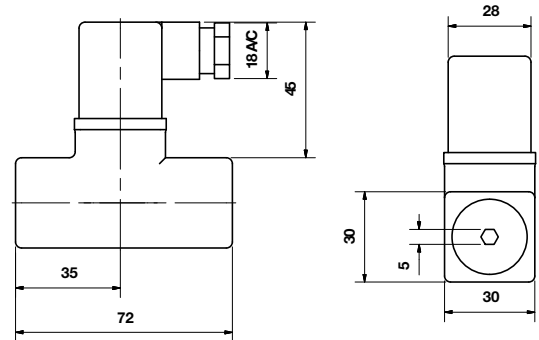
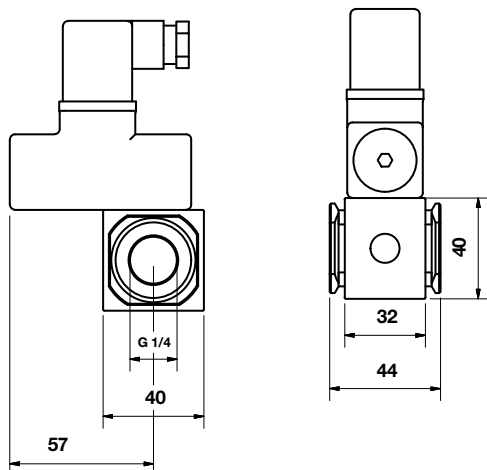
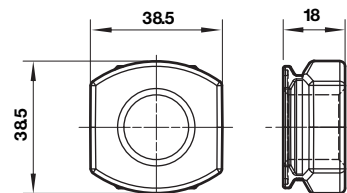
- 1 Main ports  
3/8", 1/2" OR 3/4" ISO G/PTF
- 2 Exhaust Port G1/4 or 1/4 PTF

**Accessories**

 Dimensions in mm  
 Projection/First angle

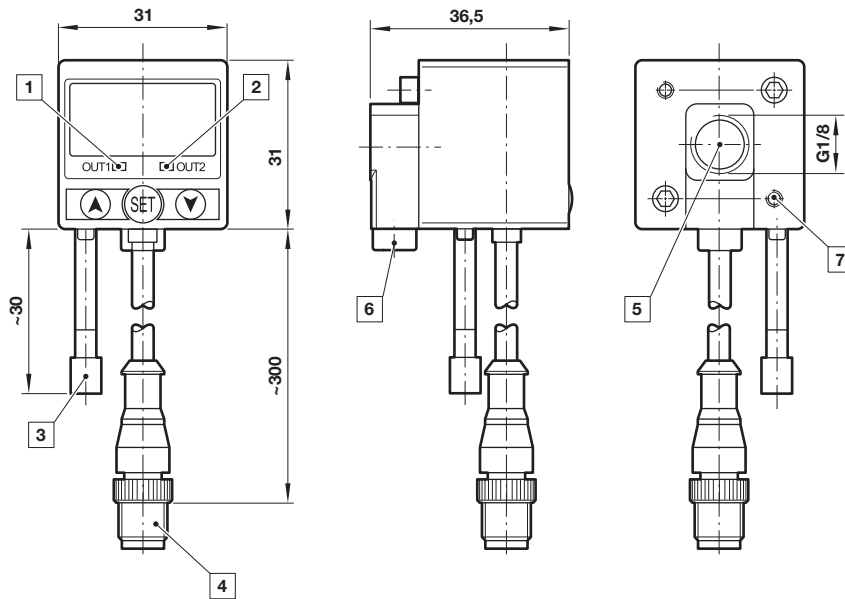
**Quikclamp® with wall bracket**

**Quikclamp®**

**Hybrid-Quikclamp® with wall bracket**

**Hybrid-Quikclamp®**

**Connector 84-82 Series**

**Mounting bracket**

**Pressure sensing block**


**Full flow porting block horizontal**

**Full flow porting block vertical**

 Dimensions in mm  
 Projection/First angle

**Porting block for 18D pressure switch**

**18D Pressure switch**

**18D Porting block and  
18D assembled**

**Pipe adaptor**


## 51D Pressure switch - digital

Dimensions in mm  
Projection/First angle



- 1 Switch OUT 1, green LED
- 2 Switch OUT 2, red LED
- 3 Dustproof protector
- 4 Connector M12 x 1
- 5 Inlet port
- 6 Alternative inlet port G1/8 plugged
- 7 Thread for mounting screw

### Warning

These products are intended for use in industrial compressed air systems only. Do not use these products where pressures and temperatures can exceed those listed under »**Technical features/data**«.

Before using these products with fluids other than those specified, for non-industrial applications, life-support systems or other applications not within published specifications, consult Norgren Ltd.

Through misuse, age, or malfunction, components used in fluid power systems can fail in various modes.

The system designer is warned to consider the failure modes of all component parts used in fluid power systems and to provide adequate safeguards to prevent personal injury or damage to equipment in the event of such failure.

System designers must provide a warning to end users in the system instructional manual if protection against a failure mode cannot be adequately provided.

System designers and end users are cautioned to review specific warnings found in instruction sheets packed and shipped with these products.