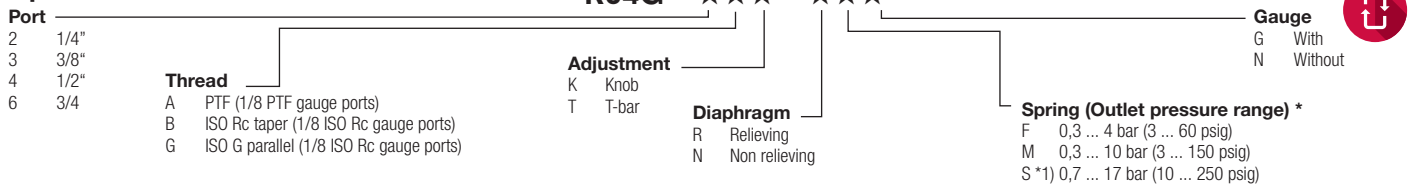


Option selector


* Outlet pressure can be adjusted to pressures in excess of, and less than, those specified. Do not use these units to control pressures outside of the specified ranges.
 *1) Units with 17 bar (250 psig) adjustment range are available only with the T-bar adjustment, therefore substitute T at the 7th digit and S at the 12th position.

Technical features

Fluid: Compressed air
 Maximum pressure: 17 bar (250 psig)
 Operating temperature*:
 -20° ... +80°C (0° ... +175°F)
 * Air supply must be dry enough to avoid ice formation at temperatures below +2°C (+35°F).
 Typical flow with 10 bar (150 psig) inlet pressure, 6,3 bar (90 psig) set pressure and 1 bar (15 psig) droop from set: 120 dm³/s (254 scfm)
 Gauge ports:
 1/8" PTF with PTF main ports
 1/8" ISO Rc with ISO Rc main ports
 1/8" ISO Rc with ISO G main ports

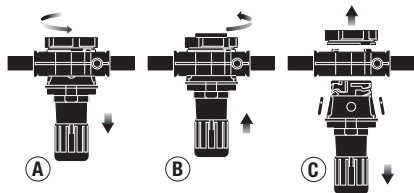
Materials:
 Body: Zinc
 Bonnet: Aluminium
 Valve: Brass
 Elastomers: Synthetic rubber

Replacement Items

Service kit, contains required items circled:
 Relieving 4381-200
 Non relieving 4381-201
 Panel Mounting Dimensions
 Panel mounting hole diameter: 52 mm (2.06")
 Panel thickness: 6 mm (0.25") max.

Installation

- Install unit vertically in air line -
 - upstream of lubricators and cycling valves,
 - with air flow in direction of arrow on body,
 - as close as possible to the device being serviced.
- Before assembling the basic unit into the yoke the port seal o-rings should be lightly smeared with o-ring grease.
- Locate clamp ring under lugs on top of yoke, offer basic unit into yoke with directional arrows correctly aligned (an interference fit prevents assembly if misaligned) before engaging and fully tightening the clamp ring.
- Install a pressure gauge or plug the gauge ports. Gauge ports can also be used as additional outlets for regulated air.


Adjustment

- Before applying inlet pressure to regulator, turn adjustment (1 or 6) counterclockwise to remove all force on regulating spring (11).
- Apply inlet pressure, then turn adjustment (1 or 6) clockwise to increase and counterclockwise to decrease pressure setting.

- Always approach the desired pressure from a lower pressure. When reducing from a higher to a lower setting, first reduce to some pressure less than that desired, then bring up to the desired pressure.

Note

With non-relieving regulators, make pressure reductions with some air flow in the system. If made under no flow (dead-end) conditions, the regulator will trap the over-pressure in the downstream line.

- Knob adjustment. Push knob down to lock pressure setting. Pull knob up to release. Install tamper resistant cover (see Replacement Items) to make setting tamper resistant.
- T-BAR adjustment. Tighten lock nut (7) to lock pressure setting.

Disassembly

- Shut off inlet pressure. Reduce pressure in inlet and outlet lines to zero. Turn adjustment (1 or 6) fully counterclockwise.
- For ease of maintenance the unit can be removed from the yoke by unscrewing the clamp ring, which will jack the unit out downwards.
- Disassemble in general accordance with the item numbers on exploded view.
- To disassemble turn the adjuster (1 or 6) counter-clockwise to relieve compression on the adjusting spring (11). Remove 4 screws (2 or 8) to disassemble the bonnet (3 or 9) from the body. Remove the adjusting spring (11) and diaphragm (12). Inspect all components for damage, foreign matter and cleanliness and reassemble using service replacement parts where necessary.

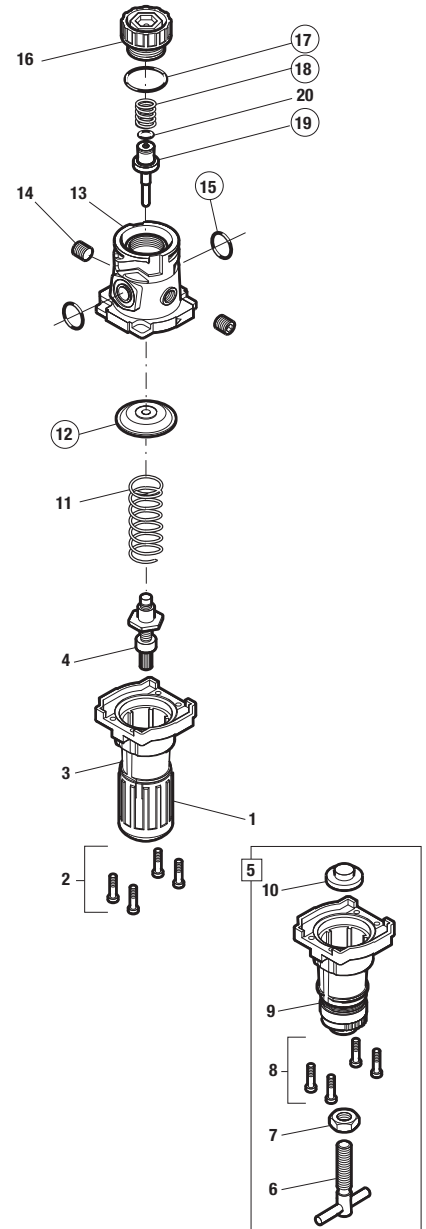
Cleaning

- Clean parts with warm water and soap.
- Rinse and dry parts. Blow out internal passages in body with clean, dry compressed air.
- Inspect parts. Replace those found to be damaged.

Assembly

- Lubricate o-rings with o-ring grease.
- Check valve for free movement in the valve guide.
- Assemble the unit as shown on the exploded view.
- Torque Table

Item	N-m	(Inch-Pounds)
3, 9 (Bonnet)	61 ... 68	(555 ... 618)



WARNING

Polycarbonate plastic bowls can be damaged and possibly burst if exposed to such substances as certain solvents, strong alkalies, compressor oils containing ester-based additives or synthetic oils. Fumes of these substances in contact with the polycarbonate bowl, externally or internally, can also result in damage. Clean with warm water only. Use metal bowl in applications where a plastic bowl might be exposed to substances that are incompatible with polycarbonate. Before using these products with fluids other than air, for non industrial applications, or for life-support systems consult Norgren.

Use in potentially explosive atmospheres

Code of device according EC directive 94/9/EC ExII 2 GD c TX

- Only non-flammable gases to be used as a medium.
- Surface temperature dependant on process fluid temperature and ambient temperature - must be below the ignition temperature of the flammable gas or dust.
- Earth unit and/or pipework to avoid electrostatic discharge.
- Precautions should be taken to prevent hazard from adiabatic compression.
- Use wet cloth for cleaning.
- Protect the unit from object falling onto it.
- Avoid contact with corrosive environment.
- For servicing the unit it is recommended to carry out this work outside of the danger zone.
- For details of ignition hazard assessment contact Norgren.