

84180/84380

2/2-way piston seat valves



- Port size: DN 2 ... 10, G1/8 ... 1/2 (ISO G/NPT)
- Compact miniature actuator \varnothing 30 mm
- Actuator may be rotated 360°
- Suitable for contaminated process fluid
- Suitable for vacuum up to max. 90%
- Reversed flow direction optional
- High flow rate
- Valve operates without pressure differential
- Clip angle M5 standard
- International approvals

Technical features

Medium:
Neutral, aggressive gases and liquids up to 600 mm²/s

Pilot fluid:
Neutral gases max. +60°C (+140°F)

Switching function:
Normally closed

Operation:
Pressure actuated by external fluid

Mounting position:
Optional

Flow direction:
Determined

Port size:
G1/8, G1/4, G3/8, G1/2, 1/8 NPT, 1/4 NPT, 3/8 NPT, 1/2 NPT

Pilot connection:
M5

Operating pressure:
0 ... 25 bar (0 ... 362 psi)

Pilot pressure:
4 ... 10 bar (58 ... 145 psi)

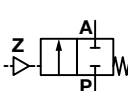
Fluid temperature:
-10 ... +90°C (+14 ... +194°F)

Ambient temperature:
-10 ... +60°C (+14 ... +140°F)

Material:
Flow fluid range:
Body: Brass (CW617N)
Seals: NBR
Seat seal: PTFE
Internal parts: Stainless steel/Brass
Seal packing: PTFE/NBR self-adjustable

Pilot fluid range:
Body: Brass
Seals: NBR, Seat seal: PTFE
Internal parts: Stainless steel/Brass

Technische Daten – Standard Ausführung

Symbol	Port size	Orifice	Flow kv value *1)	Pilot pressure (bar)	Operating pressure *2)		Weight (kg)	Model
		(mm)	(m ³ /h)		(bar)	(psi)		
	G1/8	2	0,12	4 ... 10	0 ... 25	0 ... 362	0,35	8418800.0000.00000
	1/8 NPT	2	0,12	4 ... 10	0 ... 25	0 ... 362	0,35	8438800.0000.00000
	G1/4	4	0,35	4 ... 10	0 ... 25	0 ... 362	0,33	8418020.0000.00000
	1/4 NPT	4	0,35	4 ... 10	0 ... 25	0 ... 362	0,33	8438020.0000.00000
	G3/8	6	0,6	4 ... 10	0 ... 20	0 ... 290	0,32	8418140.0000.00000
	3/8 NPT	6	0,6	4 ... 10	0 ... 20	0 ... 290	0,32	8438140.0000.00000
	G1/2	10	1,8	4 ... 10	0 ... 8	0 ... 116	0,47	8418260.0000.00000
	1/2 NPT	10	1,8	4 ... 10	0 ... 8	0 ... 116	0,47	8438260.0000.00000

*1) Cv-value (US) \approx kv value x 1,2

*2) For gases and liquid fluids up to 600 mm²/s (cSt)

Option selector

84★★.★★★.0000.00000

Thread form	Substitute
ISO G	18
NPT	38
Port size	Substitute
1/8	800
1/4	020
3/8	140
1/2	260



Further versions on request!

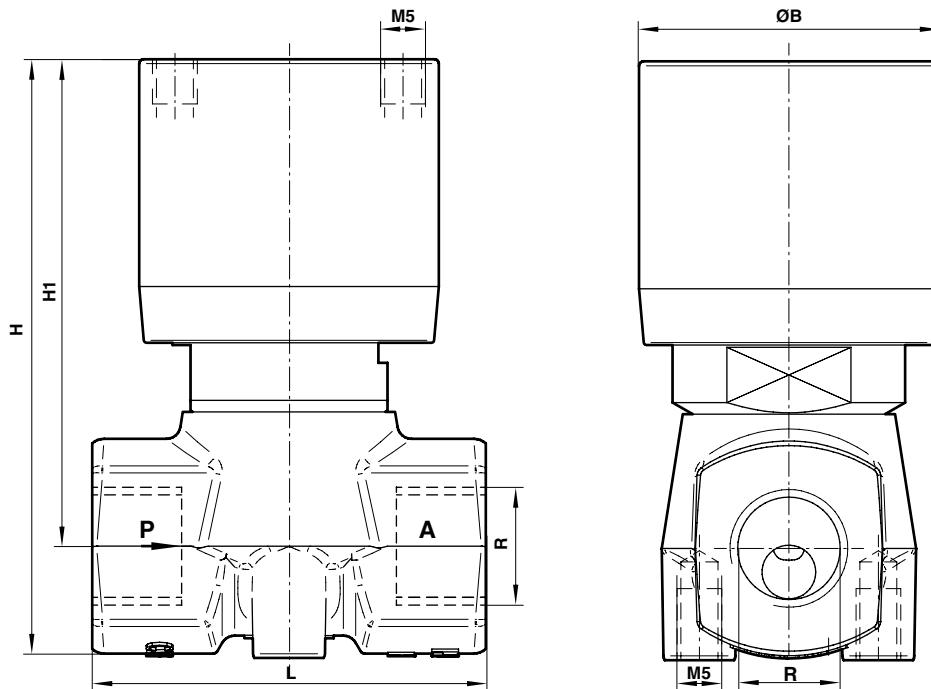
Dimensions

G1/8 ... 1/2

1/8 ... 1/2 NPT

Dimensions in mm

Projection/first angle



Port size R	Ø B	H	H1	L	Model
G1/8	34	65	53	44	8418800.0000.00000
1/8 NPT	34	65	53	44	8438800.0000.00000
G1/4	34	65	53	44	8418020.0000.00000
1/4 NPT	34	65	53	44	8438020.0000.00000
G3/8	34	65	53	44	8418140.0000.00000
3/8 NPT	34	65	53	44	8438140.0000.00000
G1/2	34	81	67	60	8418260.0000.00000
1/2 NPT	34	81	67	60	8438260.0000.00000

Note to Pressure Equipment Directive (PED):

The valves of this series up to and including DN 25 (G1) are according to Art. 4 § 3 of the Pressure Equipment Directive (PED) 2014/68/EU. This means interpretation and production are in accordance to engineers practice wellknown in the member countries. The CE-sign at the valve does not refer to the PED. Thus the declaration of conformity is not longer applicable for this directive.

For valves > DN 25 (G1) Art. 4 § (1) Letter d) applies:

The basic requirements of the Enclosure I of the PED must be fulfilled. The CE-sign at the valve includes the PED. A certificate of conformity of this directive will be available on request.

Note to Electromagnetic Compatibility Guideline (EEC):

The valves shall be provided with an electrical circuit which ensures the limits of the harmonised standards EN 61000-6-3 and EN 61000-6-1 are observed, and hence the requirements of the Electromagnetic Compatibility Guideline (2014/30/EU) satisfield.

Note to EAC marking:

The EAC-marked products comply with the applicable requirements stated in the technical regulations of the Eurasian Economic Union.